



# Model 30 QNIL 30 kW Natural Gas\ LP Generator Set

### Generator Set Rating

**Three Phase**      60 Hz      50 Hz  
                            kW/KVA kW/KVA

Continuous  
Standby 150°C      30/37      27/33  
Prime Power 105°C      27/33      24/30

**Single Phase**      60 Hz      50 Hz  
                            kW/KVA kW/KVA

Continuous  
Standby 150°C      17/17      19/19  
Prime Power 105°C      14/14      16/16

### 60 Hz Sound levels @ 23 ft. (7m)

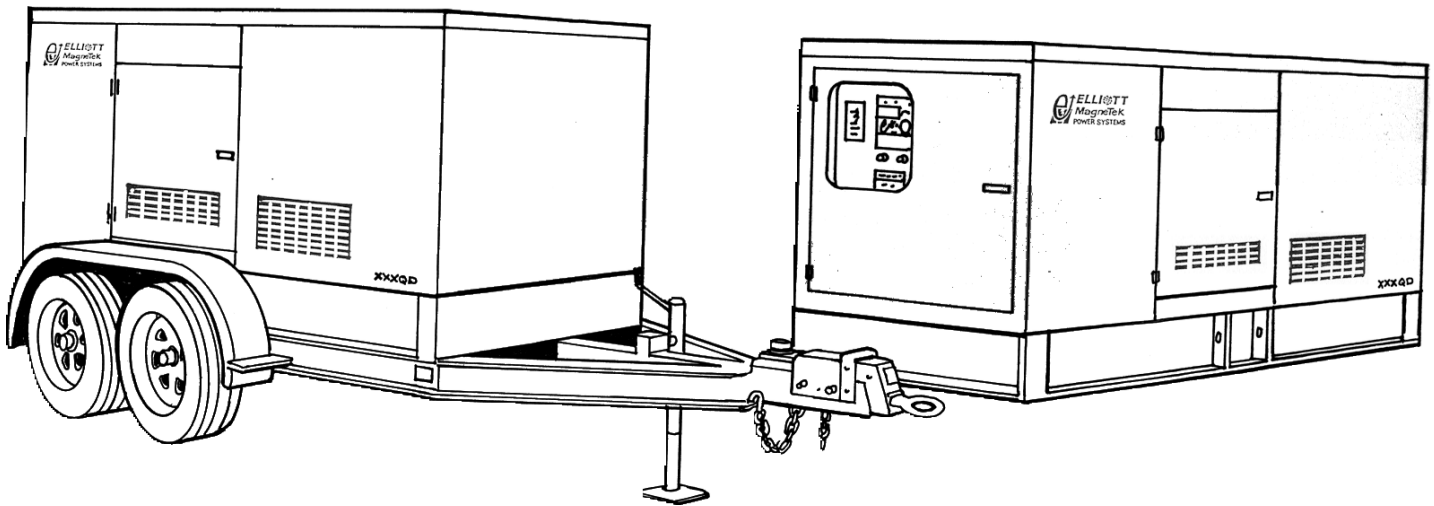
No load 67 dBa  
Full load 70 dBa

### Quality Power Producing Equipment

is our business at Elliott MagneTek Power Systems, Inc.. Our power systems offer solutions to requirements for reliable, quality electrical power.

- 100% full load tested.
- Performance supported by prototype testing.

- 12 lead re-connectable AC synchronous generators.
- Solid state automatic voltage regulator.
- 50 or 60 Hz operational.
- Standard Digital Control Panel meeting standards set by NFPA-110.



### Product Features

#### System Reliability and Longevity

begin with design experience and integrity. EMPS was formed by two companies with over one hundred years experience producing state-of-the-art power generation equipment. This experience is designed into our generator sets.

#### Single Source Responsibility:

Product service, support and parts available through EMPS network of distributors.

#### Accessories and Flexibility

are designed into EMPS' generator sets at the factory level to meet specific application needs.

#### Organizational Commitment

to innovative, leading edge technology and environmentally friendly electrical products and services.

# Generator Set Design Features

## Model 30 QN\ L 30 kW NG\ LP Generator Set

### Standard Equipment

- \* 4 Cycle engine.
- \* AC synchronous 12 lead re-connectable brushless alternator.
- \* Steel base with vibration isolators between engine, generator and base.
- \* Generator mounted terminal and meter /control box.
- \* Circuit breaker-mounting provisions.
- \* Connection area for main AC terminals and all control wiring
- \* 12 volt DC engine electrical system.
- \* 12 volt starter motor.
- \* Battery charging alternator.
- \* Battery rack and cables.
- \* Flexible fuel lines.
- \* Most metallic parts incorporate our powder paint primer base coat with UV inhibitive enamel top coat.
- \* Single stage dry type air cleaner.
- \* Corrosion resistant hardware.
- \* Oil drain extension plumbed to base rail for convenient connection.
- \* Microprocessor based auto start meter/ control panel.
- \* Digital read out control system rated to operate from -30° C to 75° C with the following standard displays, shown continuously:
  - \*\* Generator AC voltage.
  - \*\* AC amperage:
    - Phase 1-2
    - Phase 2-3
    - Phase 3-1
  - \*\* Frequency
  - \*\* Oil Pressure
  - \*\* Engine Temperature
  - \*\* Battery Voltage
  - \*\* Fuel Level (Diesel Only)
- \* The following can be displayed using the scroll lock function:
  - \*\* Run time
  - \*\* Safety set point for over speed
  - \*\* Over crank
  - \*\* High water temperature
  - \*\* Low oil pressure
- \* Voltage adjust rheostat
- \* Auto/off /run switch

### Generator Specifications

**Manufacturer:** MagneTek

**Insulation:** The main stator, main rotor, exciter stator and exciter rotor are all insulated with Class H materials and rated Class F per NEMA MG1 -1.65 and 852757 definition. All materials are non-hygroscopic to prevent fungus growth. A polyester and epoxy combination offers maximum environmental protection.

**Main Stator:** 2/3 pitch and one slot skewing minimize voltage harmonics and meets telephone influence factor (TIF) per NEMA MG1-22.43. Twelve lead re-connectable design. Coated with anti-abrasive sealer.

**Main Rotor:** Four pole single piece lamination with full amortisseur windings and coil supports. Winding is precision wet layer wound with epoxy resin and dynamically balanced to two mil in two planes. Production over speed tested at 125% for 15 minutes. All materials are non-hygroscopic to prevent fungus growth.

**Exciter:** Brushless, three phase, six-pole rotor, and production over speed tested at 125% operating speed.

**Rotating Diode:** Sealed full wave with metal oxide surge suppressor

**Bearing:** Double-sealed, permanently lubricated, 50,000 hour B-10 life including magnetic pull.

**Drive Coupling:** Positive alignment, flexible drive discs.

### Automatic Voltage Regulator Specifications

**Operation:** Volts per hertz, three phase sensing with overload and loss of sensing protection.

**Construction:** Solid state, modular: fully sealed and potted design provides component protection from corrosive environments and vibration.

**Voltage Regulation:** +/- 1% voltage regulation no load to full rated load: +/- 1/2% voltage regulation at steady state conditions.

**Radio Interference (RFI):** Integral filter provides suppression of conducted electromagnetic interference to levels meeting most commercial requirements.

### Voltage Selections and Full Load Amperages at Standby Rating

Three Phase

60 Hz Amperage	50 Hz Amperage
120/208	104 110/190 103
120/240	90 120/208 94
277/480	45 230/400 49
347/600	36 240/415 47

\*Single Phase

60 Hz Amperage	50 Hz Amperage
120/240	71 110/220 86

All voltages listed are available and/or re-connectable with the exception of the three phase, 60 Hz, 347/600 volt generator which is application specific. For other voltages, contact your EMPS distributor. All output amperage ratings listed above are at standby rating.

\*Single Phase amperage based on standard generator and unity power factor. For full single phase output use generator model MTG24.

### Application and Performance Data

MagneTek Alternator Model MTG22 is standard with this package. Larger generators may be required to meet certain application specific requirements such as Single Phase, Motor Starting and Non Linear Loads. The Maximum Generator rating available in this package is MTG27.

# Technical Specifications

## Model 30 QN\ L 30 kW NG\ LP Generator Set

### Engine Specifications

Manufacturer	General Motors	
Model	4.3 L	
Aspiration	Natural	
Cylinders	V-6	
Displacement	262 In <sup>3</sup> . (4.3 L)	
Bore and Stroke,	4 in x 3.48 in. (101.6 mm x 88.4 mm)	
Compression Ratio	9.4:1	
Minimum C.C.A. at 5°C	550	
RPM	<b>1800 rpm</b>	<b>1500 rpm</b>
BHP Minimum REQ'D at Rated kW	48	29
BMEP	81 psi	58 psi

### Generator Set Deration Factors

Temperature:  
1% for every 10° F above 120° F  
1% for every 6°C above 49°C

Altitude  
2% for every 1000 feet above  
Sea Level  
2% for every 305 meters above  
Sea Level

### Cooling System

High Ambient 105°F (41°C) System  
Coolant Capacity with Radiator  
4.25 US Gal. (16.1 L)

Maximum restriction on discharge side of  
radiator 5 In wc (125 Pa)

	<b>1800 rpm</b>	<b>1500 rpm</b>
Coolant Flow	22.9 GPM (86.7 LPM)	19.5 GPM (73.8 LPM)

	<b>1800 rpm</b>	<b>1500 rpm</b>
Heat Rejection to Coolant at Rated	1600 Btu/min (169 MJ/min)	1400 Btu/min (148 MJ/min)

	<b>1800 rpm</b>	<b>1500 rpm</b>
Heat Rejection to Coolant at Rated	1600 Btu/min (169MJ/min)	1400 Btu/min (148 MJ/min)

	<b>1800 rpm</b>	<b>1500 rpm</b>
Heat Rejection to Room at Rated	5400 Btu/min (570 MJ/min)	4800 Btu/min (506 MJ/min)

	<b>1800 rpm</b>	<b>1500 rpm</b>
Heat Rejection to Room at Rated	5400 Btu/min (570 MJ/min)	4800 Btu/min (506 MJ/min)

### Air System

	<b>1800 rpm</b>	<b>1500 rpm</b>
Maximum Air Intake Restriction	12 In wc (2.99 kPa)	12 In wc (2.99 kPa)
Radiator Cooling Air Flow	3225 cfm (98.3 m <sup>3</sup> /min)	2850 cfm (86.7 m <sup>3</sup> /min)
Combustion Air Flow	88.5 cfm (2.7 m <sup>3</sup> /min)	72.8 cfm (2.2 m <sup>3</sup> /min)
Generator Cooling Air Flow	453 cfm (12.8 m <sup>3</sup> /min)	378 cfm (10.7 m <sup>3</sup> /min)

### Exhaust System

Exhaust Manifold  
Outlet Size 2 in. dia. (50.8 mm)  
Maximum Allowable Back Pressure  
3 In wc (.75 kPa)

	<b>1800 rpm</b>	<b>1500 rpm</b>
Exhaust Gas Flow at Standby Rating	420 cfm (11.9 m <sup>3</sup> /min)	354 cfm (10 m <sup>3</sup> /min)

	<b>1800 rpm</b>	<b>1500 rpm</b>
Exhaust Temp at Standby Rating	1100°F (593°C)	1000°F (538°C)

### Fuel System

Consumption at Standby Rating:

	<b>Load 1800 RPM</b>		
	kW	Propane lbs./hr.(kg./hr.)	Natural Gas CFH(m <sup>3</sup> /hr.)
1/4	7	13.7(6.2)	292(8.3)
1/2	15	17.8(8.1)	377(10.7)
3/4	22	22.3(10.1)	475(13.4)
Full	30	27.0(12.2)	572(16.2)

	<b>Load 1500 RPM</b>		
	kW	Propane lbs./hr.(kg./hr.)	Natural Ga CFH(m <sup>3</sup> /hr.)
1/4	6	10.9(4.9)	237(6.7)
1/2	13	14.2(6.4)	306(8.7)
3/4	20	17.9(8.1)	385(10.9)
Full	27	21.5(9.8)	464(13.1)

**Governor Type** Electronic

**Governor Regulation:** 1/4 % Steady State

### Generator

Manufacturer MagneTek  
Model MTG22  
Motor Starting KVA,  
240/480 Volt WYE at  
35% Voltage Dip,100%  
Voltage Recovery 70 SKVA

Maximum Motor  
Starting KVA, 35% Voltage Dip  
Oversized Generator  
MTG27 149 SKVA

### Reactances

	480 V 60Hz	400 V 50Hz
at 105°C rise		
Synchronous Xd	3.33	2.85
Direct Axis Transient X'd	.247	.212
Direct Axis Subtransient X'd	.188	.161
Zero Sequence Xo	.0033	.0029

### Lubrication System

Engine Oil Capacity with Filters 4.5 qts. (4.3)  
Oil Filter Type Spin On

# Model 30 QN\ L 30 kW NG\ LP Generator Set

## Options:

### Generator

- \* Upsized
- \* Tropical winding protection
- \* Space heater
- \* Series boost
- \* UL listed mainline circuit breaker

### Control

- \* Remote alarm annunciator
- \* Emergency stop
- \* Multi-point dry contact board.
- \* NFPA 110 Compliance
- \* Low Temperature Display Heater

### Engine

- \* Battery/Battery heater
- \* Battery charger
- \* Engine pre-heater
- \* Fuel/ water separator

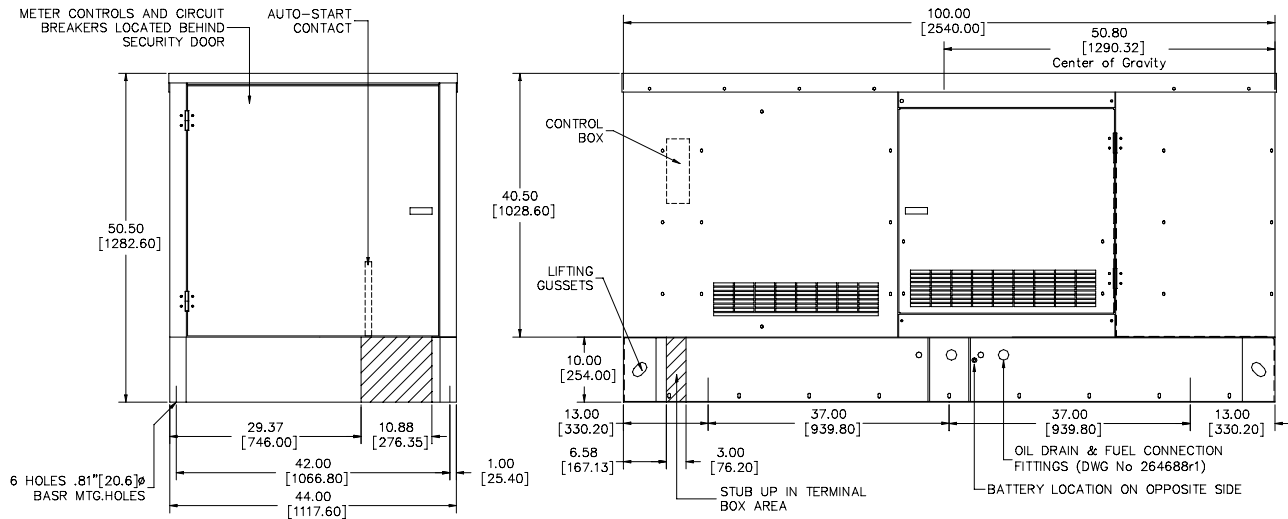
### Generator Set

- \* EMPS automatic transfer switch
- \* Industrial silencer
- \* Residential silencer
- \* Critical silencer
- \* Weather protective enclosure
- \* Sound attenuation

DOOR SWING:  
ENGINE DOOR: 33.0  
SECURITY DOOR: 38.75

MACHINE WEIGHT:  
ENCLOSED DRY WEIGHT 2296 LBS [1042 KG]

NOTES:  
PRELIMINARY DRAWING DIMENSIONS SUBJECT TO CHANGE WITHOUT NOTICE.



58 Elliott Power Drive  
P.O. Box 403  
Lexington, TN 38351  
Tel: 901-967-9393  
Fax: 901-968-0161

**Distributed by:**



All specifications subject to change without notice. Printed in the USA

Updated 2/00