



Model 1350 RD 1350 kW Diesel Generator Set

Generator Set Rating

Three Phase	60 Hz kW/KVA	50 Hz kW/KVA
Continuous		
Standby 130°C	1350/1687	1120/1400
Prime Power 105°C	1250/1562	1000/1250

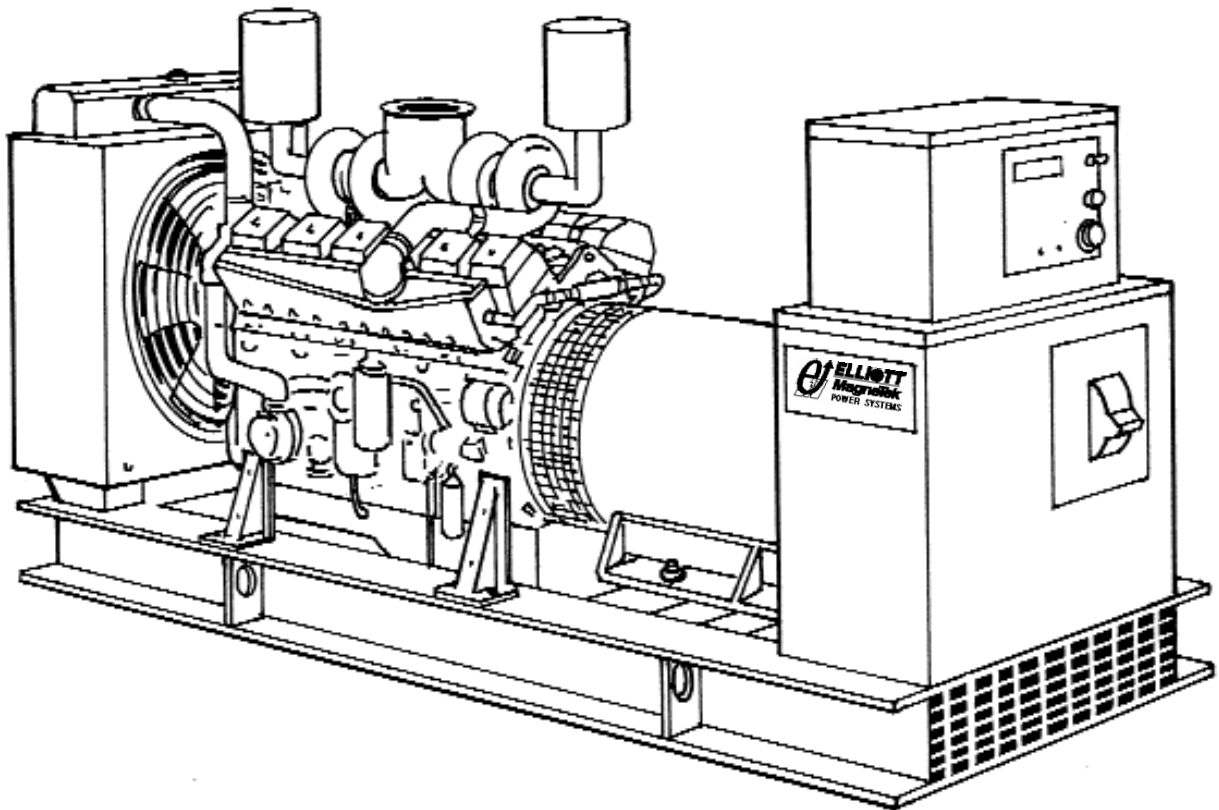
Single Phase

Consult Factory

Quality Power Producing Equipment

is our business at Elliott MagneTek Power Systems, Inc.. Our power systems offer solutions to requirements for reliable, quality electrical power.

- 100% full load tested.
- Performance supported by prototype testing.
- 12 lead re-connectable AC synchronous generators.
- Solid state automatic voltage regulator.
- 50 or 60 Hz operational.
- Standard Digital Control Panel meeting standards set by NFPA-110.



Product Features

System Reliability and Longevity

begin with design experience and integrity. EMPS was formed by two companies with over one hundred years experience producing state-of-the-art power generation equipment. This experience is designed into our generator sets.

Single Source Responsibility:

Product service, support and parts available through EMPS network of distributors.

Accessories and Flexibility

are designed into EMPS' generator sets at the factory level to meet specific application needs.

Organizational Commitment

to innovative, leading edge technology and environmentally friendly electrical products and services.

Generator Set Design Features

Model 1350 RD 1350 kW Diesel Generator Set

Standard Equipment

- * 4 Cycle engine.
- * AC synchronous brushless alternator.
- * Structural "C" channel base.
- * Generator mounted terminal and meter /control box.
- * Circuit breaker-mounting provisions.
- * Connection area for main AC terminals and all control wiring
- * 24 volt DC engine electrical system.
- * 24 volt starter motor.
- * Battery charging alternator.
- * Battery rack and cables.
- * Flexible fuel lines.
- * Most metallic parts incorporate our powder paint primer base coat with UV inhibitive enamel top coat.
- * Single stage dry type air cleaner.
- * Corrosion resistant hardware.
- * Oil drain extension plumbed to base rail for convenient connection.
- * Microprocessor based auto start meter/ control panel.
- * Digital read out control system rated to operate from -30° C to 75° C with the following standard displays, shown continuously:
 - ** Generator AC voltage.
 - ** AC amperage:
 - Phase 1-2
 - Phase 2-3
 - Phase 3-1
 - ** Frequency
 - ** Oil Pressure
 - ** Engine Temperature
 - ** Battery Voltage
 - ** Fuel Level (Diesel Only)
- * The following can be displayed using the scroll lock function:
 - ** Run time
 - ** Safety set point for over speed
 - ** Over crank
 - ** High water temperature
 - ** Low oil pressure
- * Voltage adjust rheostat
- * Auto/ off /run switch

Generator Specifications

Manufacturer: MagneTek

Insulation: The main stator, main rotor, exciter stator and exciter rotor are all insulated with Class H materials and rated Class F per NEMA MG1 -1.65 and 852757 definition. All materials are non-hygroscopic to prevent fungus growth. A polyester and epoxy combination offers maximum environmental protection.

Main Stator: 2/3 pitch and one slot skewing minimize voltage harmonics and meets telephone influence factor (TIF) per NEMA MG1-22.43. Twelve lead re-connectable design. Coated with anti-abrasive sealer.

Main Rotor: Four pole single piece lamination with full amortisseur windings and coil supports. Winding is precision wet layer wound with epoxy resin and dynamically balanced to two mil in two planes. Production over speed tested at 125% for 15 minutes. All materials are non-hygroscopic to prevent fungus growth.

Exciter: Brushless, three phase, six-pole rotor, and production over speed tested at 125% operating speed.

Rotating Diode: Sealed full wave with metal oxide surge suppressor

Bearing: Double-sealed, permanently lubricated, 50,000 hour B-10 life including magnetic pull.

Drive Coupling: Positive alignment, flexible drive discs.

Automatic Voltage Regulator Specifications

Operation: Volts per hertz, three phase sensing with overload and loss of sensing protection.

Construction: Solid state, modular: fully sealed and potted design provides component protection from corrosive environments and vibration.

Voltage Regulation: +/- 1% voltage regulation no load to full rated load: +/- 1/2% voltage regulation at steady state conditions.

Radio Interference (RFI): Integral filter provides suppression of conducted electromagnetic interference to levels meeting most commercial requirements.

Voltage Selections and Full Load Amperages at Standby Rating

Three Phase

60 Hz Amperage	50 Hz Amperage
120/208 4857	110/190 4254
120/240 4210	120/208 3886
277/480 2105	230/400 2021

For other voltages, contact your EMPS distributor. All output amperage ratings listed above are at standby rating.

Application and Performance Data

MagneTek Alternator Model MTG64 is standard with this package. Larger generators may be required to meet certain application specific requirements such as Single Phase, Motor Starting and Non Linear Loads. The Maximum Generator rating available in this package is MTG85.

Technical Specifications

Model 1350 RD 1350 kW Diesel Generator Set

Engine Specifications

Manufacturer	Mitsubishi	
Model	S12R-PTA2	
Type	4 Cycle Water Cooled	
Aspiration	Turbo/ Aftercooler (Jacket water to cooler)	
Cylinders	60° V12	
Displacement	2992 In ³ . (49.03L)	
Bore and Stroke,	6.69 in x 7.09 in. (170 mm x 180 mm)	
Compression Ratio	13.5:1	
Minimum C.C.A. at 5°C	300 Ah	
RPM	1800 rpm	1500 rpm
BHP Minimum REQ'D		
at Rated kW	1470	1315
BMEP	217 psi	232 psi

Generator Set Deration Factors

Temperature:
4% for every 18° F above 104° F
4% for every 10°C above 40°C

Altitude
1% for every 328 feet above
4921 feet
1% for every 100 meters above
1500 meters

Cooling System

High Ambient 104°F (40°C) System
Coolant Capacity with Radiator
33 US gal. (125L)

Maximum restriction on discharge side of radiator
.4 In wc (99 Pa)

	1800 rpm	1500 rpm
Coolant Flow		
489 GPM (1850 LPM)	436 GPM (1650 LPM)	
Heat Rejection to Coolant at Full Load	50220 Btu/min (5298 MJ/min)	43733 Btu/min (4614 MJ/min)
Heat Rejection to Room at Rated Full Load	6026 Btu/min (636 MJ/min)	5248 Btu/min (554 MJ/min)

Air System

	1800 rpm	1500 rpm
Maximum Air Intake Restriction		25.0 In wc (6.2 kPa)
Radiator Cooling Air Flow	63558 cfm (1799 m ³ /min)	63558 cfm (1799 m ³ /min)
Combustion Air Flow	4273 cfm (121 m ³ /min)	3708 cfm (105 m ³ /min)
Generator Cooling Air Flow	5256 cfm (148.7 m ³ /min)	4380 cfm (124 m ³ /min)

Exhaust System

Exhaust
Outlet Size 8.35 in. dia. (21.2cm)
Maximum Allowable Back Pressure
23.6 In wc (5.9 kPa)

Exhaust Gas Flow
at Standby
Rating 11299 cfm 9851 cfm
(320 m³/min)(279 m³/min)

Exhaust Temp at
Standby Rating 950°F 1013°F
(510°C) (545°C)

Fuel System

Consumption at Standby Rating:

Load	1800 RPM		
	kW	US gal/h	Litre/h
1/4	337	22.8	86.3
1/2	675	45.5	172.2
3/4	1012	68.3	258.5
Full	1350	91.0	344.5
Load	1500 RPM		
	kW	US gal/h	Litre/h
1/4	280	18.9	71.5
1/2	560	37.8	143.1
3/4	840	56.7	214.6
Full	1120	75.5	285.8

Governor Type Hydraulic
Governor Regulation: +/- .25%

Generator

Manufacturer	MagneTek
Model	MTG64
Motor Starting KVA, 240/480 Volt WYE at 35% Voltage Dip, 100% Voltage Recovery	3754 SKVA
Maximum Motor Starting KVA, 35% Voltage Dip Oversized Generator MTG85	6704 SKVA

Reactances

	480 V	400 V
at 105°C rise	60Hz	50Hz
Synchronous Xd	3.10	2.98
Direct Axis Transient X'd	.223	.214
Direct Axis Subtransient X'd	.155	.149
Zero Sequence Xo	.0088	.0084

Lubrication System

Engine Oil Capacity with Filters
47.6 US gal. (180L)
Oil Filter Type Spin On

Model 1350 RD 1350 kW Diesel Generator Set

Options:

Generator

- * Upsized
- * Tropical winding protection
- * Space heater
- * Series boost
- * UL listed mainline circuit breaker

Control

- * Remote alarm annunciator
- * Emergency stop
- * Multi-point dry contact board.
- * NFPA 110 Compliance
- * Low Temperature Display Heater

Engine

- * Battery/Battery heater
- * Battery charger
- * Engine pre-heater
- * Fuel/ water separator
- * Isochronous governor

Generator Set

- * EMPS automatic transfer switch
- * Industrial silencer
- * Residential silencer
- * Critical silencer
- * Weather protective enclosure
- * Sound attenuation
- * Sub-base fuel tank

Consult Factory for Current Design

58 Elliott Power Drive
P.O. Box 403
Lexington, TN 38351
Tel: 901-967-9393
Fax: 901-968-0161

Distributed by:



All specifications subject to change without notice. Printed in the USA

Updated 2/00