



# Model 15 RD 15 kW Diesel Generator Set

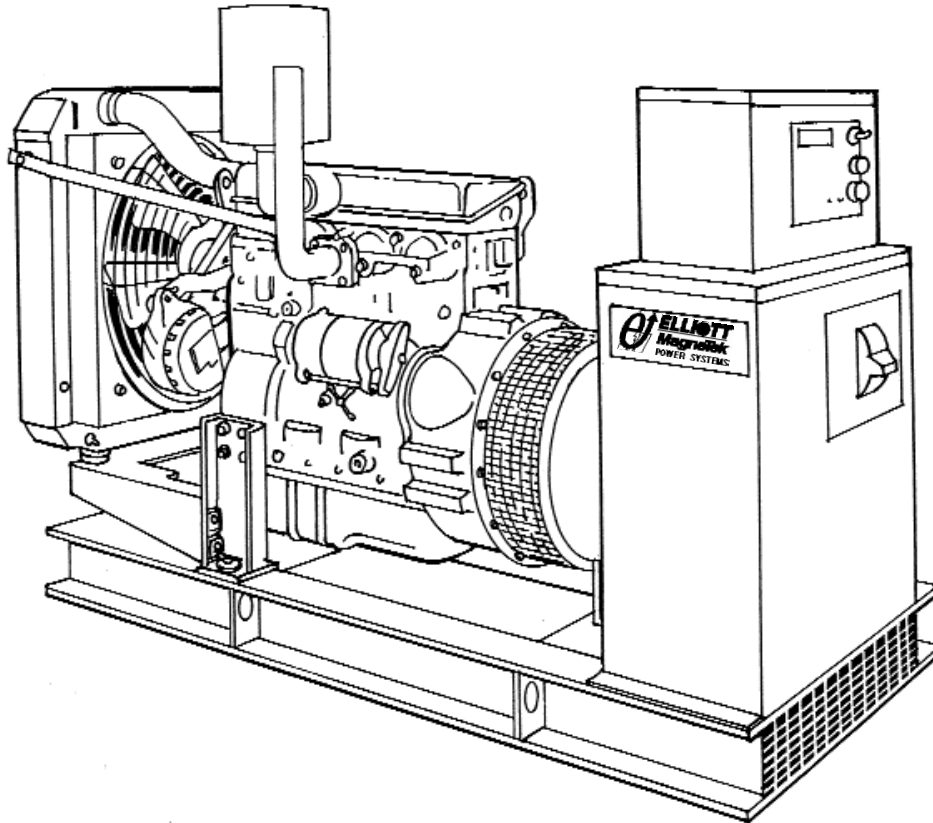
## Generator Set Rating

Three Phase	60 Hz	50 Hz
	kW/KVA	kW/KVA
Continuous		
Standby 150°C	15/18	13/16
Prime Power 105°C	14/17	11/13
Single Phase	60 Hz	50 Hz
	kW/KVA	kW/KVA
Continuous		
Standby 150°C	13/13	11/11
Prime Power 105°C	10/10	8/8

## Quality Power Producing Equipment

is our business at Elliott MagneTek Power Systems, Inc.. Our power systems offer solutions to requirements for reliable, quality electrical power.

- \* 100% full load tested.
- \* Performance supported by prototype testing.
- \* 12 lead re-connectable AC synchronous generators.
- \* Solid state automatic voltage regulator.
- \* 50 or 60 Hz operational.
- \* Standard Digital Control Panel meeting standards set by NFPA-110.



## Product Features

### System Reliability and Longevity

begin with design experience and integrity. EMPS was formed by two companies with over one hundred years experience producing state-of-the-art power generation equipment. This experience is designed into our generator sets.

### Single Source Responsibility:

Product service, support and parts available through EMPS network of distributors.

### Accessories and Flexibility

are designed into EMPS' generator sets at the factory level to meet specific application needs.

### Organizational Commitment

to innovative, leading edge technology and environmentally friendly electrical products and services.

# Generator Set Design Features

## Model 15 RD 15 kW Diesel Generator Set

### Standard Equipment

- \* 4 Cycle engine.
- \* AC synchronous 12 lead re-connectable brushless alternator.
- \* Steel base with vibration isolators between engine, generator and base.
- \* Generator mounted terminal and meter /control box.
- \* Circuit breaker-mounting provisions.
- \* Connection area for main AC terminals and all control wiring
- \* 12 volt DC engine electrical system. 12 volt starter motor.
- \* Battery charging alternator.
- \* Battery rack and cables.
- \* Flexible fuel lines.
- \* Most metallic parts incorporate our powder paint primer base coat with UV inhibitive enamel top coat.
- \* Single stage dry type air cleaner.
- \* Corrosion resistant hardware.
- \* Oil drain extension plumbed to base rail for convenient connection.
- \* Microprocessor based auto start meter/ control panel.
- \* Digital read out control system rated to operate from -30° C to 75° C with the following standard displays, shown continuously:
  - \*\* Generator AC voltage.
  - \*\* AC amperage:
    - Phase 1-2
    - Phase 2-3
    - Phase 3-1
  - \*\* Frequency
  - \*\* Oil Pressure
  - \*\* Engine Temperature
  - \*\* Battery Voltage
  - \*\* Fuel Level (Diesel Only)
- \* The following can be displayed using the scroll lock function:
  - \*\* Run time
  - \*\* Safety set point for over speed
  - \*\* Over crank
  - \*\* High water temperature
  - \*\* Low oil pressure
- \* Voltage adjust rheostat
- \* Auto/ off /run switch

### Generator Specifications

**Manufacturer:** MagneTek

**Insulation:** The main stator, main rotor, exciter stator and exciter rotor are all insulated with Class H materials and rated Class F per NEMA MG1 -1.65 and 852757 definition. All materials are non-hygroscopic to prevent fungus growth. A polyester and epoxy combination offers maximum environmental protection.

**Main Stator:** 2/3 pitch and one slot skewing minimize voltage harmonics and meets telephone influence factor (TIF) per NEMA MG1-22.43. Twelve lead re-connectable design. Coated with anti-abrasive sealer.

**Main Rotor:** Four pole single piece lamination with full amortisseur windings and coil supports. Winding is precision wet layer wound with epoxy resin and dynamically balanced to two mil in two planes. Production over speed tested at 125% for 15 minutes. All materials are non-hygroscopic to prevent fungus growth.

**Exciter:** Brushless, three phase, six-pole rotor, and production over speed tested at 125% operating speed.

**Rotating Diode:** Sealed full wave with metal oxide surge suppressor

**Bearing:** Double-sealed, permanently lubricated, 50,000 hour B-10 life including magnetic pull.

**Drive Coupling:** Positive alignment, flexible drive discs.

### Automatic Voltage Regulator Specifications

**Operation:** Volts per hertz, three phase sensing with overload and loss of sensing protection.

**Construction:** Solid state, modular: fully sealed and potted design provides component protection from corrosive environments and vibration.

**Voltage Regulation:** +/- 1% voltage regulation no load to full rated load: +/- 1/2% voltage regulation at steady state conditions.

**Radio Interference (RFI):** Integral filter provides suppression of conducted electromagnetic interference to levels meeting most commercial requirements.

### Voltage Selections and Full Load Amperages at Standby Rating

Three Phase

60 Hz Amperage	50 Hz Amperage
120/208	52 110/190 49
120/240	45 120/208 45
277/480	23 230/400 23
347/600	18 240/415 23

\*Single Phase

60 Hz Amperage	50 Hz Amperage
120/240	54 110/220 50

All voltages listed are available and/or re-connectable with the exception of the three phase, 60 Hz, 347/600 volt generator which is application specific. For other voltages, contact your EMPS distributor. All output amperage ratings listed above are at standby rating.

\*Single Phase amperage based on standard generator and unity power factor. For full single phase output use generator model MTG21.

### Application and Performance Data

MagneTek Alternator Model MTG20 is standard with this package. Larger generators may be required to meet certain application specific requirements such as Single Phase, Motor Starting and Non Linear Loads. The Maximum Generator rating available in this package is MTG23.

# Technical Specifications

## Model 15 RD 15 kW Diesel Generator Set

### Engine Specifications

Manufacturer	Isuzu	
Model	4LE1PV02	
Type	In Line 4 Stroke	
Aspiration	Natural	
Cylinders	3	
Displacement	134 In <sup>3</sup> . (2.2 L)	
Bore and Stroke,	3.35 in x 3.78 in. (85 mm X 96mm)	
Compression Ratio	22:1	
Minimum C.C.A. at 5°C	580	
RPM	<b>1800 rpm</b>	<b>1500 rpm</b>
BHP Minimum REQ'D		
at Rated kW	26	23.4
BMEP	125 psi	135psi

### Generator Set Deration Factors

Temperature:  
 2.5% for every 5° F above 105° F  
 2.5% for every 9°C above 41°C

Altitude  
 3% for every 1000 feet above  
 600 ft.  
 3% for every 305 meters above  
 183 meters.

### Cooling System

High Ambient 105°F (41°C) System  
 Coolant Capacity with Radiator  
 5.5 qt. (5.2 L)

Maximum restriction on discharge side of radiator  
 .5 In wc (125 Pa)

	<b>1800 rpm</b>	<b>1500 rpm</b>
Coolant Flow		
	9.75 GPM (36.9 LPM)	8.25 GPM (31.2 LPM)
Heat Rejection to Coolant at Rated Full Load	1055 Btu/min (111 MJ/min)	950 Btu/min (100MJ/min)

### Air System

	<b>1800 rpm</b>	<b>1500 rpm</b>
Maximum Air Intake Restriction		30 In wc (7.5 kPa)
Radiator Cooling Air Flow	2700 cfm (76.4 m <sup>3</sup> /min)	2433 cfm (68.9 m <sup>3</sup> /min)
Combustion Air Flow	60 cfm (1.7 m <sup>3</sup> /min)	50 cfm (1.4 m <sup>3</sup> /min)
Generator Cooling Air Flow	453 cfm (12.8 m <sup>3</sup> /min)	378 cfm (10.7 m <sup>3</sup> /min)

### Exhaust System

Exhaust Manifold Outlet Size	1.8 in. dia. (4.5 mm)	
Maximum Allowable Back Pressure	40.9 In wc (10.2 kPa)	
Exhaust Gas Flow at Standby Rating	170 cfm (4.8 m <sup>3</sup> /min)	142 cfm (4.0 m <sup>3</sup> /min)

Exhaust Temp at Standby Rating	1000°F (578°C)	970°F (521°C)
--------------------------------	-------------------	------------------

### Fuel System

Consumption at Standby Rating:

Load	<b>1800 RPM</b>		
	kW	US gal/h	Litre/h
1/4	3.75	.38	1.44
1/2	7.5	.68	2.57
3/4	11.25	1.01	3.82
Full	15	1.35	5.11

Load	<b>1500 RPM</b>		
	kW	US gal/h	Litre/h
1/4	3.5	.34	1.29
1/2	7.1	.61	2.31
3/4	10.5	.92	3.48
Full	14	1.2	4.54

**Governor Type** Mechanical  
**Governor Regulation:**  
 +/-3 .5% Steady State

### Generator

Manufacturer	MagneTek
Model	MTG20
Motor Starting KVA, 240/480 Volt WYE at 35% Voltage Dip, 100% Voltage Recovery	44 SKVA
Maximum Motor Starting KVA, 35% Voltage Dip Oversized Generator	65 SKVA

### Reactances

	480 V	400 V
at 105°C rise	60Hz	50Hz
Synchronous Xd	2.54	2.03
Direct Axis		
Transient X'd	.208	.166
Direct Axis		
Subtransient X"d	.166	.133
Zero Sequence Xo	.0025	.0020

### Lubrication System

Engine Oil Capacity with Filters  
 1.7 US gal..(6.4 L)  
 Oil Filter Type Spin On

### Engine Exhaust Emissions Certification Values

Exhaust Emissions (g/bhp-hr)	<b>*CARB</b>		<b>15RD</b>
HC	1	.1	
CO	4.8	.9	
NOX	6.9	4.5	
PM	.63	.3	

<b>Smoke Opacity (%)</b>		
Acceleration	20	12
Lugging	15	3
Peak	.63	14

\* California Air Resources Board Standards

# Model 15 RD 15 kW Diesel Generator Set

## Options:

### Generator

- \* Upsized
- \* Tropical winding protection
- \* Space heater
- \* Series boost
- \* UL listed mainline circuit breaker

### Control

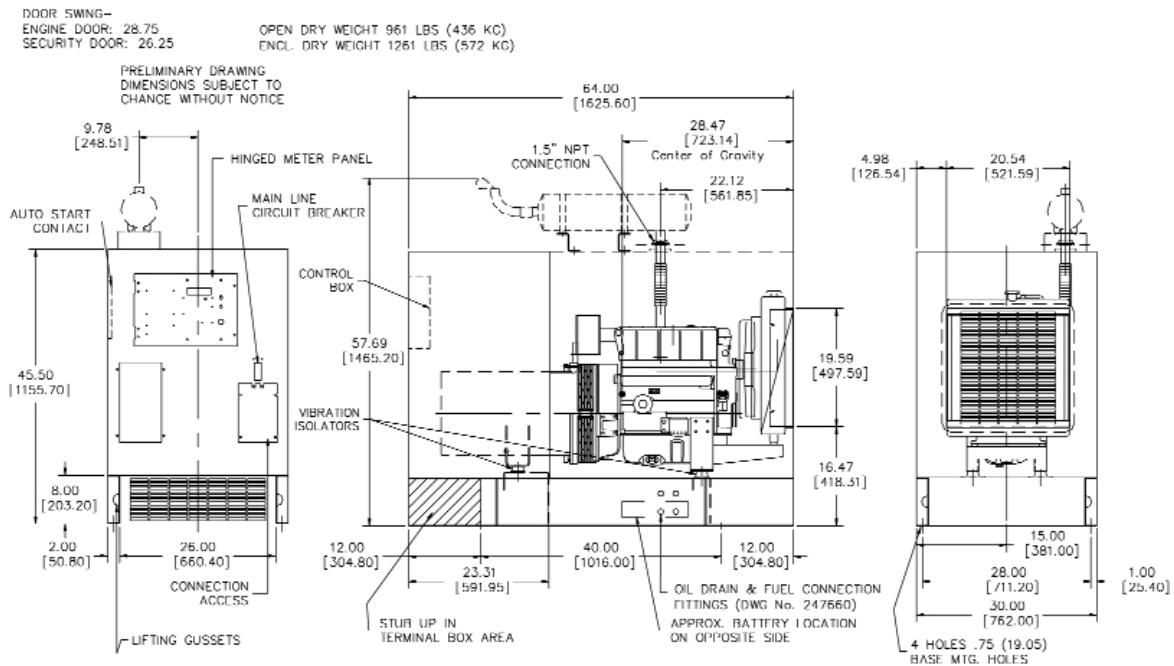
- \* Remote alarm annunciator
- \* Emergency stop
- \* Multi-point dry contact board.
- \* NFPA 110 Compliance
- \* Low Temperature Display Heater

### Engine

- \* Battery/Battery heater
- \* Battery charger
- \* Engine pre-heater
- \* Fuel/ water separator
- \* Isochronous governor

### Generator Set

- \* EMPS automatic transfer switch
- \* Industrial silencer
- \* Residential silencer
- \* Critical silencer
- \* Weather protective enclosure
- \* Sound attenuation
- \* Sub-base fuel tank



58 Elliott Power Drive  
P.O. Box 403  
Lexington, TN 38351  
Tel: 901-967-9393  
Fax: 901-968-0161

**Distributed by:**



All specifications subject to change without notice. Printed in the USA

Updated 2/00